

**NAME:** LED Retrofit Kit

**P/N:** SS-SLB-27W

## Advantage

- UL, CUL, RoHS, CE certificate
- PHILIPS LUMILEDS chip, high CRI
- Warm / Natural / Cool / Cold white.
- 90x150°, TYPE III.
- Internal driver, input voltage AC100-277V.
- E26, E27, E39, EX39, E40 lamp base.
- Lamp Base: 270 degree rotated.
- Big heat sink.
- New style and high efficient wide-range input.
- Long lifespan and good heat dissipation.
- Direct replacement for Metal Halide, easy Installation.
- Fits many different fixtures to replace traditional lamps.



## Application

Retrofitting parking lots, shoeboxes, streetlights, floodlights, wall packs, and canopies has just been made simple.

**SINOSTAR LIGHTING GROUP LTD.**

Tel: +86-757-83982666  
Web: [www.sinostarled.com](http://www.sinostarled.com)

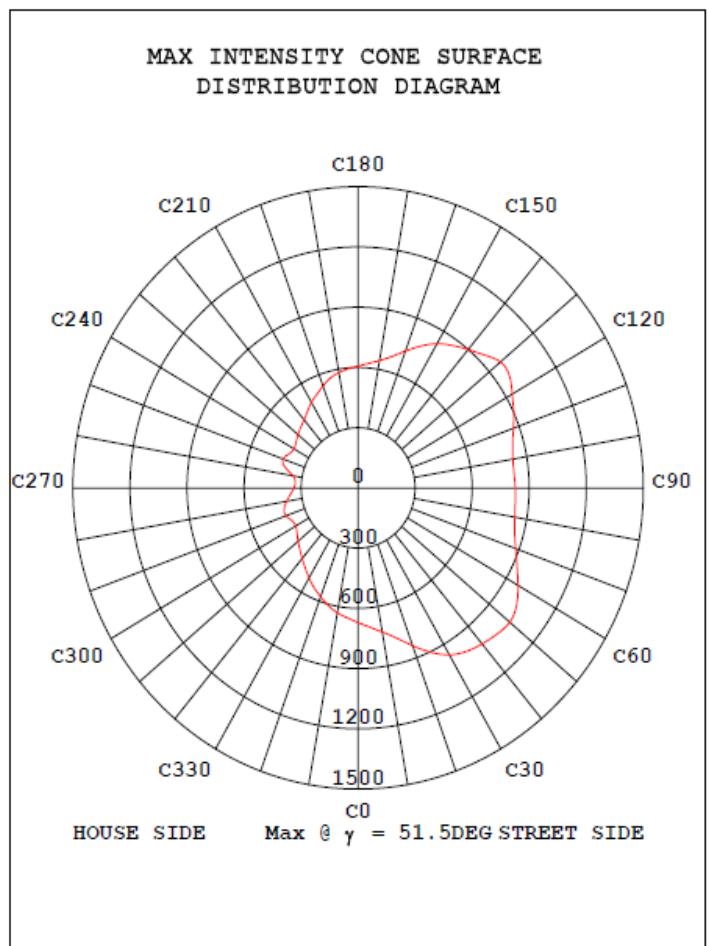
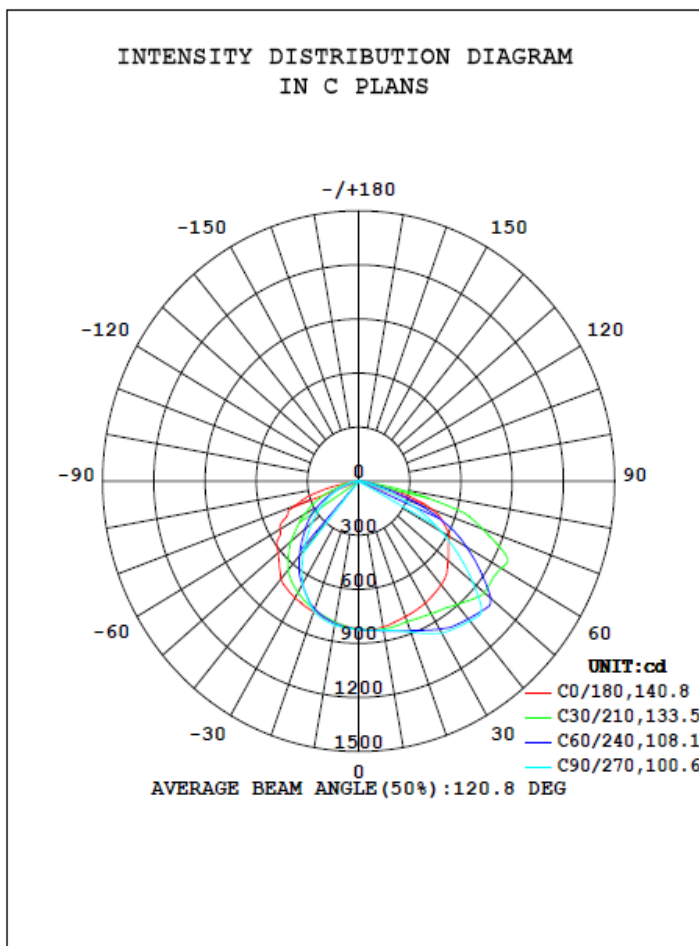
Fax: +86-757-82283667  
E-mail: [sales@sinostarled.com](mailto:sales@sinostarled.com)

<b>General</b>			
Product name	LED Retrofit Kit		
Part No	SS-SLB-27W		
Lamp Base	E26/E27	E39/E40	EX39
Dimension	233*113*80 MM	243*113*80 MM	
<b>Technical</b>			
Color temperature	2700-6500K		
CRI	>70		
Lumen	3100-3500 LM		
Lumen Efficacy	115-130 LM/W		
Input Power	27W		
Viewing Angle	90x150° (Type III)		
Input Voltage	AC100-277V 50/60Hz		
PFC	>90%		
Equivalent	60W CFL, 100W MHL/HPS/HID		
Waterproof Rating	IP51		
<b>Materials</b>			
LED Brand	PHILIPS LUMILEDS		
LED Type	LUXEON 3030 2D (1.5W)		
LED QTY	56 PCS		
Housing	Magnesium Alloy+AL+PC		
Housing color	Black+Silver		
<b>Others</b>			
Operating Temperature	-20°C - +45°C		
Operating Humidity	20%-70% RH		
Storage Temperature	-30°C - +80°C		
Storage Humidity	10%-75% RH		
Application	shoebboxes, streetlights, floodlights, wall packs and canopies		
Safety Certification	UL, CUL, CE, RoHS		
Warranty Time	5 Years		

**SINOSTAR LIGHTING GROUP LTD.**Tel: +86-757-83982666  
Web: www.sinostarled.comFax: +86-757-82283667  
E-mail: sales@sinostarled.com

Remark: The testing data comes directly from the product test.

DATA OF LAMP		PHOTOMETRIC DATA			
MODEL		Imax (cd)	1041	$\eta$ street_up (%)	0.0
NOMINAL POWER (W)	27	LOR (%)	100.0	$\eta$ street_down (%)	61.8
RATED VOLTAGE (V)	120	TOTAL FLUX (lm)	2976	$\eta$ house_up (%)	0.0
NOMINAL FLUX (lm)	2975.55	MAXIMUM @ (C, $\gamma$ )	50, 51.5	$\eta$ house_down (%)	38.2
LAMPS INSIDE	1	$\eta$ up (%)	0.0	76 FLASHAREA (m2)	0.05000
TEST VOLTAGE (V)	120	$\eta$ down (%)	100.0	SLI	19.363

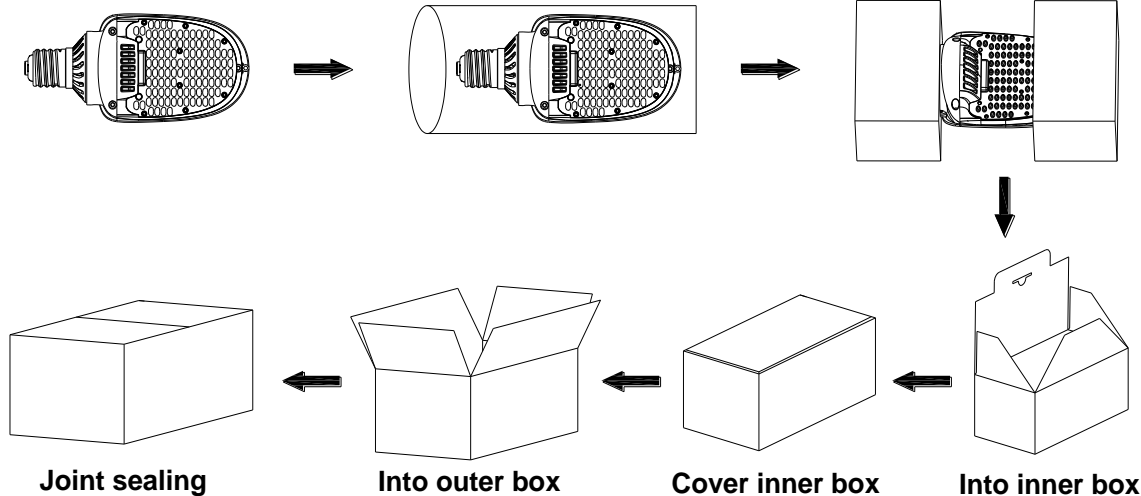


## Package

LED Retrofit Kit

Into PE bag

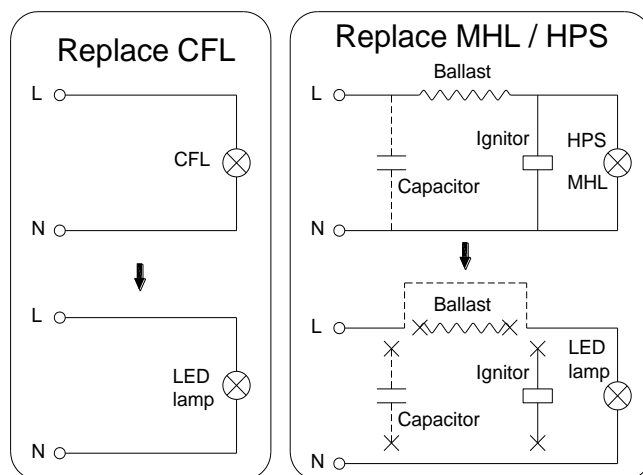
Into EPE



	Size	Qty/ Carton	Net Weight/ Carton	Gross Weight/ Carton
Inner box	290*135*105 MM	1 PC	0.72 KG	0.88 KG
Outer box	560*305*230 MM	8 PCS	5.7 KG	7.8 KG

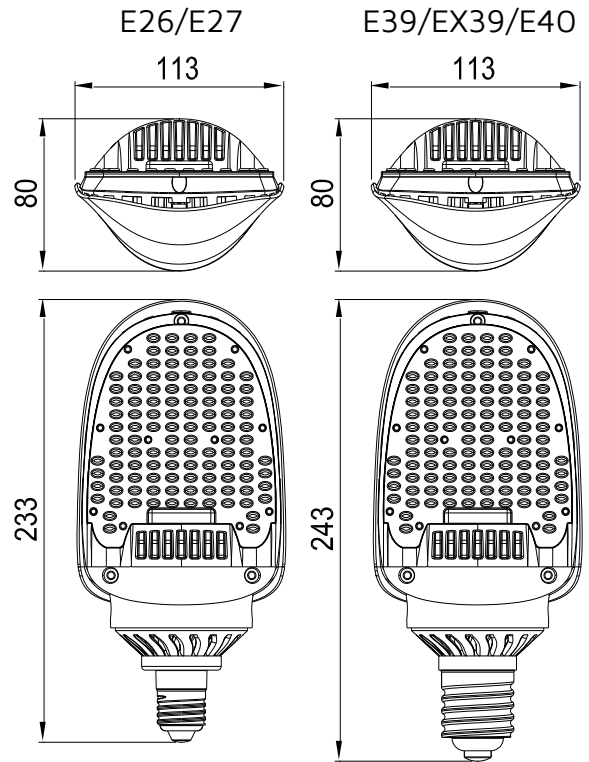
## Notice For User

- Please turn off power before install or change assembly parts.
- The input voltage and lamps should be matched, after connecting the power line, please make sure the wiring section is insulated.
- Make sure to remove or bypass the ballast in the fixtures before install the lamps.
- Suitable for damp locations. Do not use with dimmers.
- Suitable for use in enclosed luminaires, min. lamp compartment dimensions: 340\*200\*200MM.
- No-professionals, must not install and disassemble the lamps.



## Trouble Shootings

Troubles	Check points
Flickering of the lamps	Turn off the power and turn on again in 3 minutes. If same phenomena occur, then call agencies
Out of working	Please check the connection



**NAME:** LED Retrofit Kit

**P/N:** SS-SLB-36W

## Advantage

- UL, CUL, RoHS, CE certificate
- PHILIPS LUMILEDS chip, high CRI
- Warm / Natural / Cool / Cold white.
- 90x150°, TYPE III.
- Internal driver, input voltage AC100-277V.
- E26, E27, E39, EX39, E40 lamp base.
- Lamp Base: 270 degree rotated.
- Big heat sink.
- New style and high efficient wide-range input.
- Long lifespan and good heat dissipation.
- Direct replacement for Metal Halide, easy Installation.
- Fits many different fixtures to replace traditional lamps.



## Application

Retrofitting parking lots, shoeboxes, streetlights, floodlights, wall packs, and canopies has just been made simple.

**SINOSTAR LIGHTING GROUP LTD.**

Tel: +86-757-83982666  
Web: [www.sinostarled.com](http://www.sinostarled.com)

Fax: +86-757-82283667  
E-mail: [sales@sinostarled.com](mailto:sales@sinostarled.com)

General			
Product name	LED Retrofit Kit		
Part No	SS-SLB-36W		
Lamp Base	E26/E27	E39/E40	EX39
Dimension	233*113*80 MM	243*113*80 MM	
Technical			
Color temperature	2700-6500K		
CRI	>70		
Lumen	4150-4700 LM		
Lumen Efficacy	115-130 LM/W		
Input Power	36W		
Viewing Angle	90x150° (Type III)		
Input Voltage	AC100-277V 50/60Hz		
PFC	>90%		
Equivalent	80W CFL, 150W MHL/HPS/HID		
Waterproof Rating	IP51		
Material			
LED Brand	PHILIPS LUMILEDS		
LED Type	LUXEON 3030 2D (.5W)		
LED QTY	84 PCS		
Housing	Magnesium Alloy+AL+PC		
Housing color	Black+Silver		
Others			
Operating Temperature	-20°C - +45°C		
Operating Humidity	20%-70% RH		
Storage Temperature	-30°C - +80°C		
Storage Humidity	10%-75% RH		
Application	shoebboxes, streetlights, floodlights, wall packs and canopies		
Safety Certification	UL, CUL, CE, RoHS		
Warranty Time	5 Years		

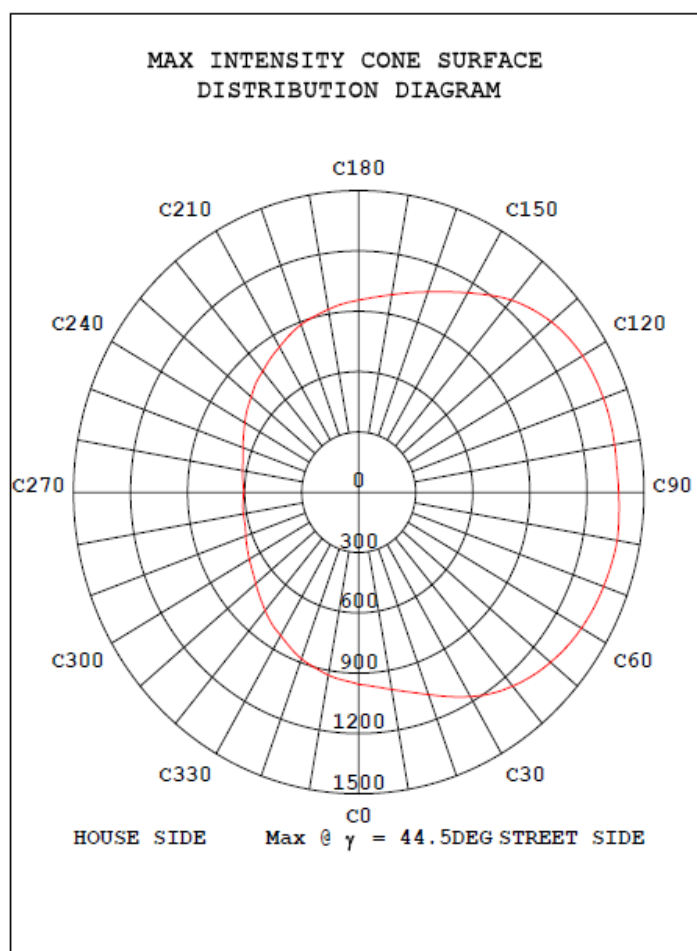
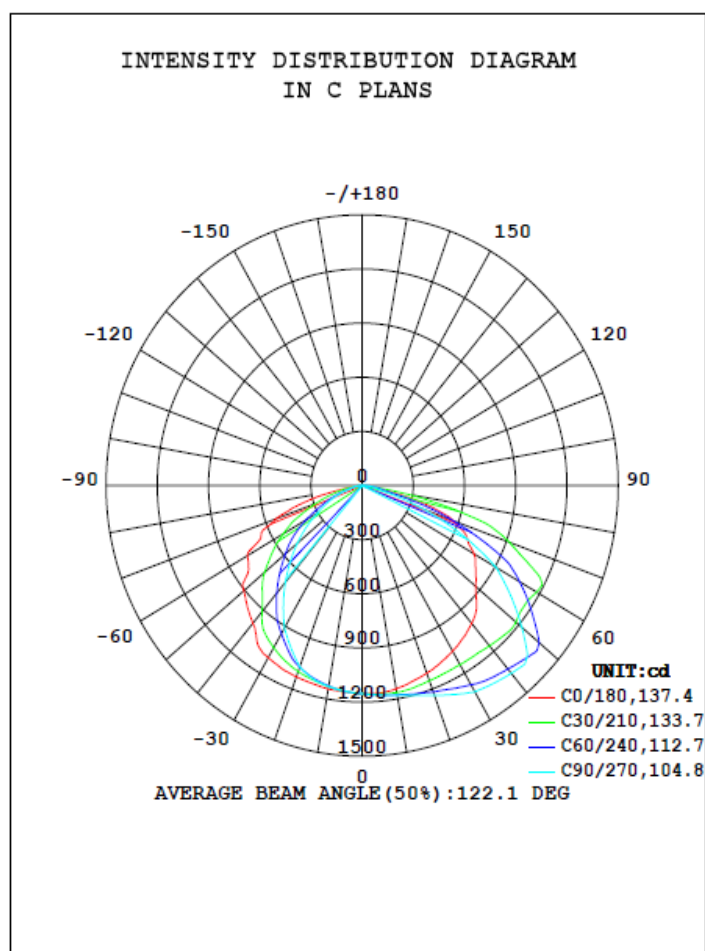
**SINOSTAR LIGHTING GROUP LTD.**

Tel: +86-757-83982666  
 Web: www.sinostarled.com

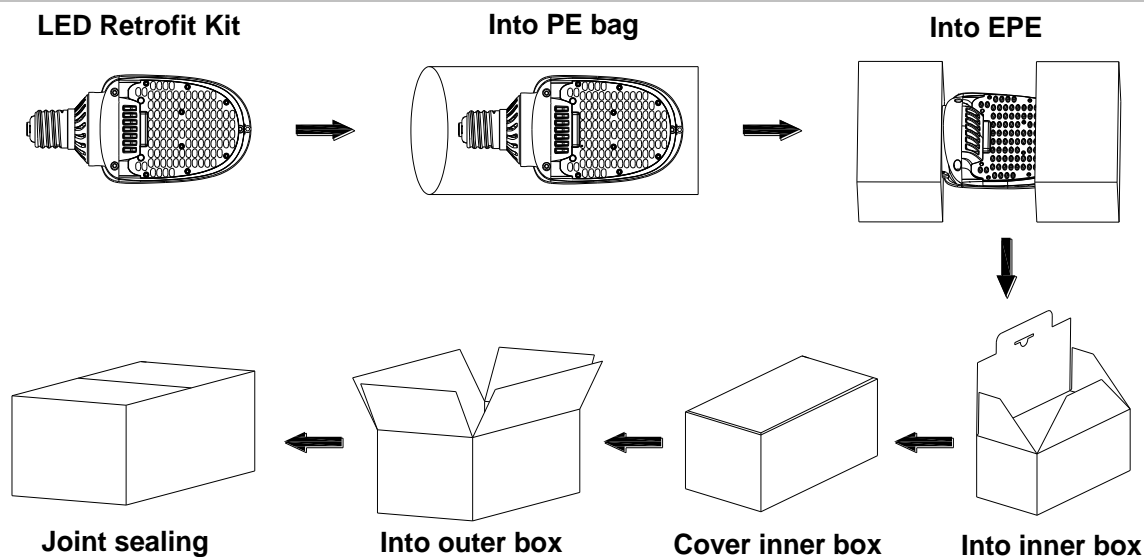
Fax: +86-757-82283667  
 E-mail: sales@sinostarled.com

Remark: The testing data comes directly from the product test.

DATA OF LAMP		PHOTOMETRIC DATA			
MODEL		Imax (cd)	1379	$\eta$ street_up (%)	0.0
NOMINAL POWER (W)	36	LOR (%)	100.0	$\eta$ street_down (%)	61.3
RATED VOLTAGE (V)	120	TOTAL FLUX (lm)	4088	$\eta$ house_up (%)	0.0
NOMINAL FLUX (lm)	4087.85	MAXIMUM @ (C, $\gamma$ )	80, 44.5	$\eta$ house_down (%)	38.7
LAMPS INSIDE	1	$\eta$ up (%)	0.0	76 FLASHAREA (m2)	0.05000
TEST VOLTAGE (V)	120	$\eta$ down (%)	100.0	SLI	19.937



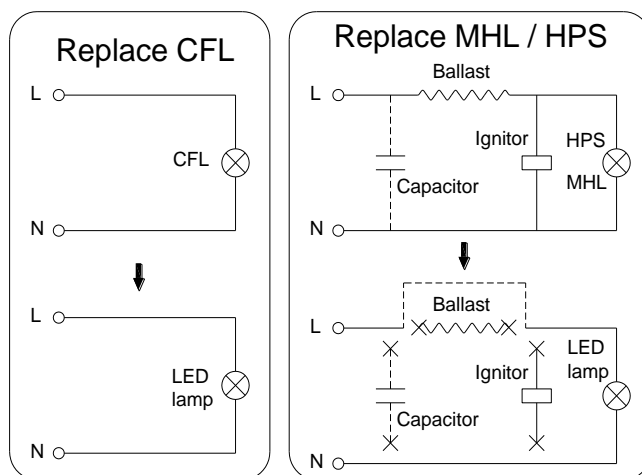
## Package



	Size	Qty/ Carton	Net Weight/ Carton	Gross Weight/ Carton
Inner box	290*135*105 MM	1 PC	0.72 KG	0.88 KG
Outer box	560*305*230 MM	8 PCS	5.8 KG	7.9 KG

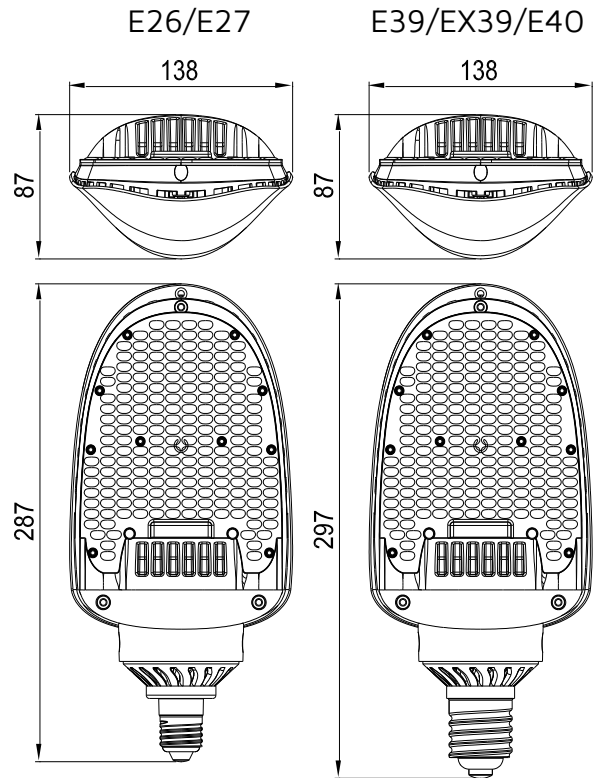
## Notice For User

- Please turn off power before install or change assembly parts.
- The input voltage and lamps should be matched, after connecting the power line, please make sure the wiring section is insulated.
- Make sure to remove or bypass the ballast in the fixtures before install the lamps.
- Suitable for damp locations. Do not use with dimmers.
- Suitable for use in enclosed luminaires, min. lamp compartment dimensions: 380\*200\*200MM.
- No-professionals, must not install and disassemble the lamps.



## Trouble Shootings

Troubles	Check points
Flickering of the lamps	Turn off the power and turn on again in 3 minutes. If same phenomena occur, then call agencies
Out of working	Please check the connection



**NAME:** LED Retrofit Kit

**P/N:** SS-SLB-54W

## Advantage

- UL, CUL, RoHS, CE certificate
- PHILIPS LUMILEDS chip, high CRI
- Warm / Natural / Cool / Cold white.
- 90x150°, TYPE III.
- Internal driver, input voltage AC100-277V.
- E26, E27, E39, EX39, E40 lamp base.
- Lamp Base: 270 degree rotated.
- Big heat sink.
- New style and high efficient wide-range input.
- Long lifespan and good heat dissipation.
- Direct replacement for Metal Halide, easy Installation.
- Fits many different fixtures to replace traditional lamps.



## Application

Retrofitting parking lots, shoeboxes, streetlights, floodlights, wall packs, and canopies has just been made simple.

**SINOSTAR LIGHTING GROUP LTD.**

Tel: +86-757-83982666  
Web: [www.sinostarled.com](http://www.sinostarled.com)

Fax: +86-757-82283667  
E-mail: [sales@sinostarled.com](mailto:sales@sinostarled.com)

General			
Product name	LED Retrofit Kit		
Part No	SS-SLB-54W		
Lamp Base	E26/E27	E39/E40	EX39
Dimension	287*138*87 MM	297*138*87 MM	
Technical			
Color temperature	2700-6500K		
CRI	>70		
Lumen	6200-7000 LM		
Lumen Efficacy	115-130 LM/W		
Input Power	54W		
Viewing Angle	90x150° (Type III)		
Input Voltage	AC100-277V 50/60Hz		
PFC	>90%		
Equivalent	120W CFL, 175W MHL/HPS/HID		
Waterproof Rating	IP51		
Materials			
LED Brand	PHILIPS LUMILEDS		
LED Type	LUXEON 3030 2D (1.5W)		
LED QTY	112 PCS		
Housing	Magnesium Alloy+AL+PC		
Housing color	Black+Silver		
Others			
Operating Temperature	-20°C - +45°C		
Operating Humidity	20%-70% RH		
Storage Temperature	-30°C - +80°C		
Storage Humidity	10%-75% RH		
Application	shoeboxes, streetlights, floodlights, wall packs and canopies		
Safety Certification	UL, CUL, CE, RoHS		
Warranty Time	5 Years		

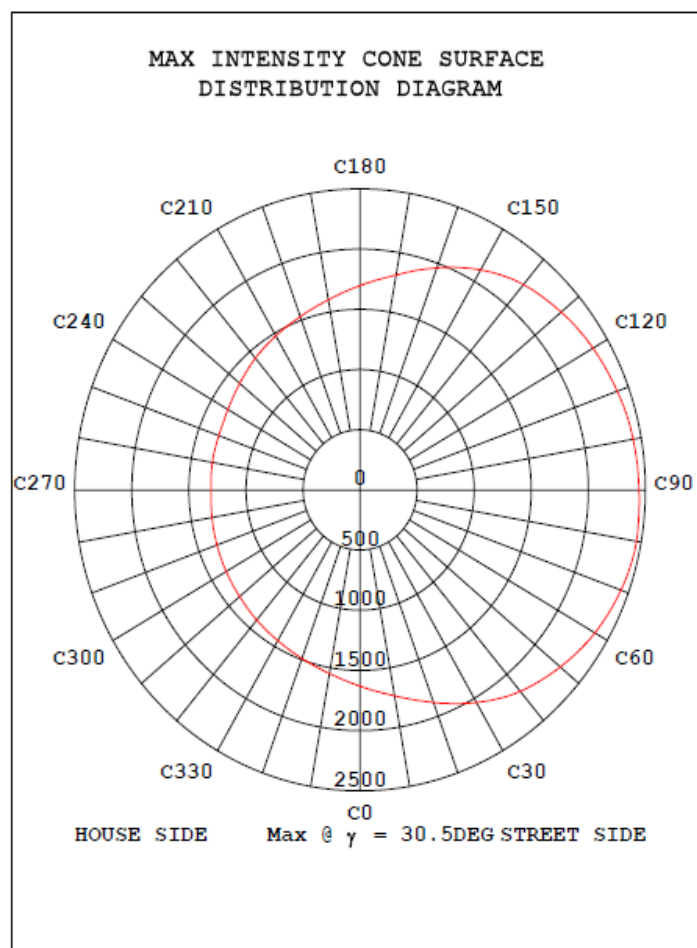
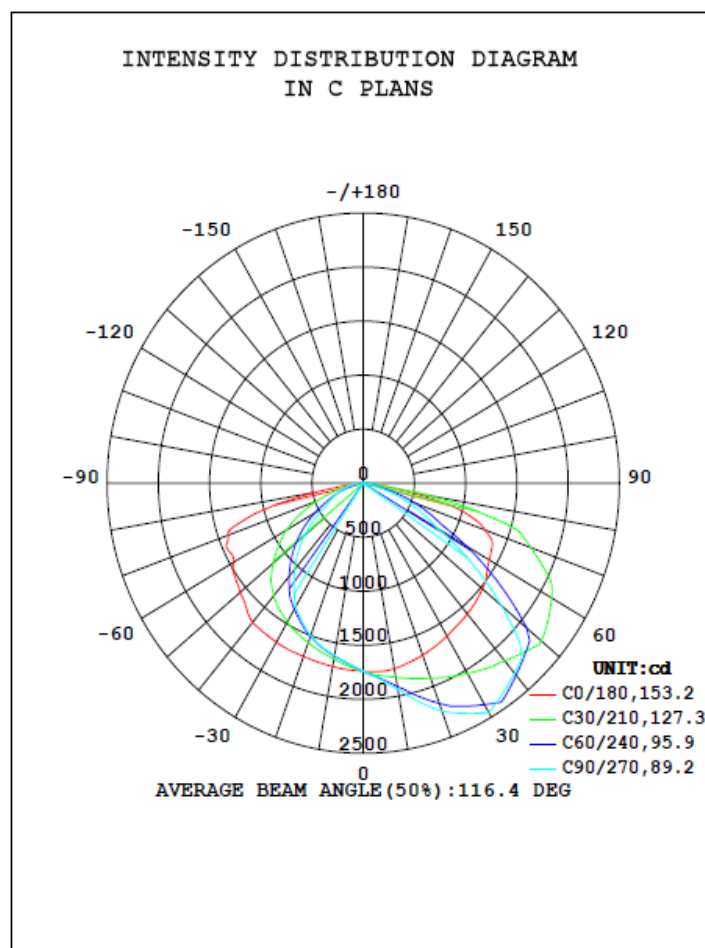
**SINOSTAR LIGHTING GROUP LTD.**

Tel: +86-757-83982666  
Web: www.sinostarled.com

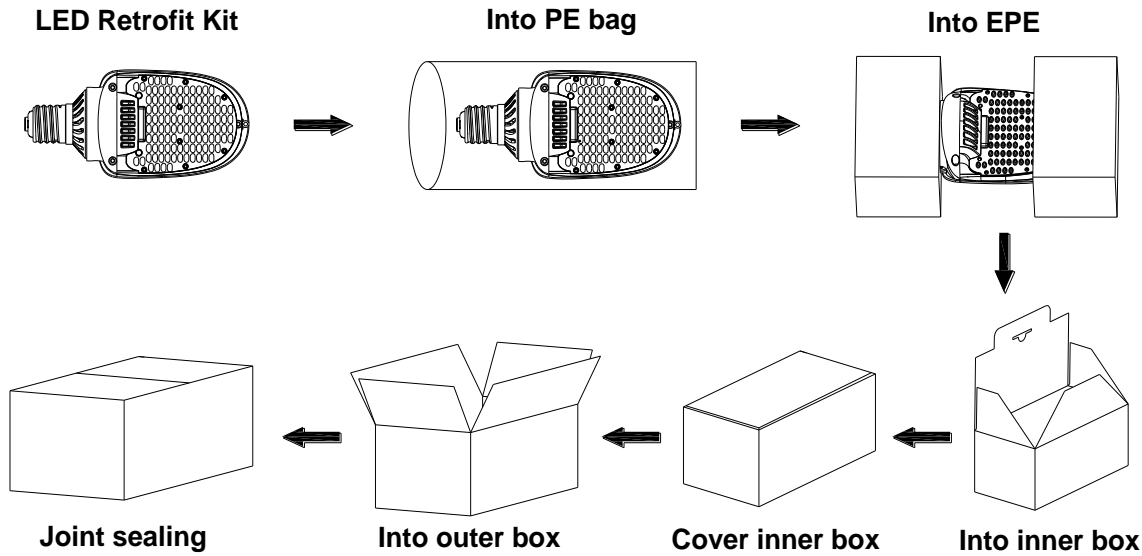
Fax: +86-757-82283667  
E-mail: sales@sinostarled.com

Remark: The testing data comes directly from the product test.

DATA OF LAMP		PHOTOMETRIC DATA <span style="float: right;">Eff: 123.65 lm/W</span>			
MODEL		I <sub>max</sub> (cd)	2458	η <sub>street_up</sub> (%)	0.0
NOMINAL POWER (W)	54	LOR (%)	100.0	η <sub>street_down</sub> (%)	63.8
RATED VOLTAGE (V)	120	TOTAL FLUX (lm)	6697	η <sub>house_up</sub> (%)	0.0
NOMINAL FLUX (lm)	6696.84	MAXIMUM @ (C, γ )	80, 30.5	η <sub>house_down</sub> (%)	36.2
LAMPS INSIDE	1	η <sub>up</sub> (%)	0.0	76 FLASHAREA (m <sup>2</sup> )	0.05000
TEST VOLTAGE (V)	120	η <sub>down</sub> (%)	100.0	SLI	22.175



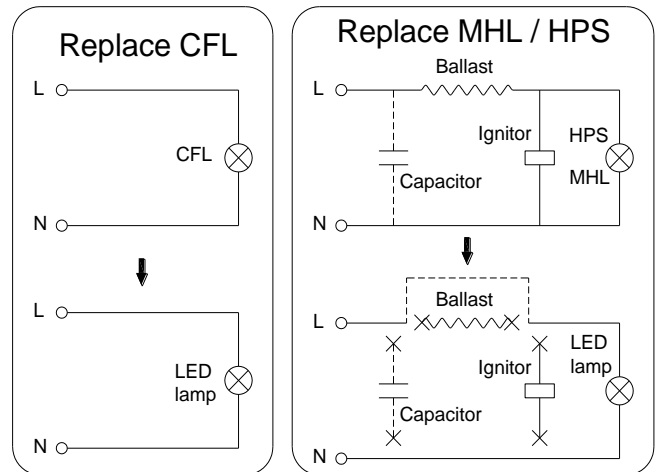
## Package



	Size	Qty/ Carton	Net Weight/ Carton	Gross Weight/ Carton
Inner box	340*160*110 MM	1 PC	1.23 KG	1.46 KG
Outer box	660*355*240 MM	8 PCS	9.8 KG	12.7 KG

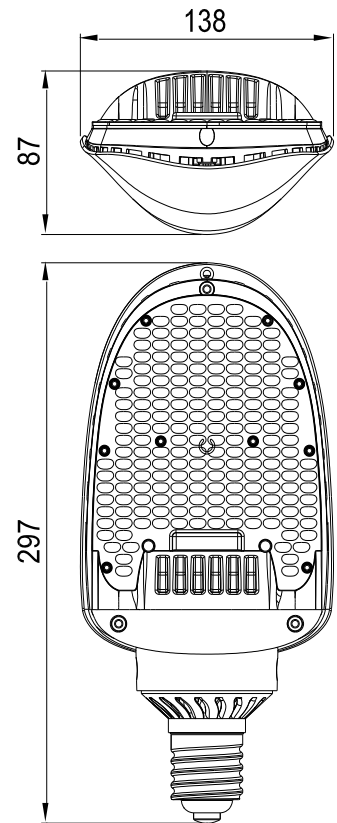
## Notice For User

- Please turn off power before install or change assembly parts.
- The input voltage and lamps should be matched, after connecting the power line, please make sure the wiring section is insulated.
- Make sure to remove or bypass the ballast in the fixtures before install the lamps.
- Suitable for damp locations. Do not use with dimmers.
- Suitable for use in enclosed luminaires, min. lamp compartment dimensions: 420\*210\*210MM.
- No-professionals, must not install and disassemble the lamps.



## Trouble Shootings

Troubles	Check points
Flickering of the lamps	Turn off the power and turn on again in 3 minutes. If same phenomena occur, then call agencies
Out of working	Please check the connection



**NAME:** LED Retrofit Kit

**P/N:** SS-SLB-75W

## Advantage

- UL, CUL, RoHS, CE certificate
- PHILIPS LUMILEDS chip, high CRI
- Warm / Natural / Cool / Cold white.
- 90x150°, TYPE III.
- Internal driver, input voltage AC100-277V.
- E39, EX39, E40 lamp base.
- Lamp Base: 270 degree rotated.
- Big heat sink.
- New style and high efficient wide-range input.
- Long lifespan and good heat dissipation.
- Direct replacement for Metal Halide, easy Installation.
- Fits many different fixtures to replace traditional lamps.



## Application

Retrofitting parking lots, shoeboxes, streetlights, floodlights, wall packs, and canopies has just been made simple.

General	
Product name	LED Retrofit Kit
Part No	SS-SLB-75W
Lamp Base	E39/EX39/E40
Dimension	297*138*87 MM
Technical	
Color temperature	2700-6500K
CRI	>70
Lumen	8600-9800 LM
Lumen Efficacy	115-130 LM/W
Input Power	75W
Viewing Angle	90x150° (Type III)
Input Voltage	AC100-277V 50/60Hz
PFC	>90%
Equivalent	150W CFL, 250W MHL/HPS/HID
Waterproof Rating	IP51
Materials	
LED Brand	PHILIPS LUMILEDS
LED Type	LUXEON 3030 2D (1.5W)
LED QTY	140 PCS
Housing	Magnesium Alloy+AL+PC
Housing color	Black+Silver
Others	
Operating Temperature	-20°C - +45°C
Operating Humidity	20%-70% RH
Storage Temperature	-30°C - +80°C
Storage Humidity	10%-75% RH
Application	shoeboxes, streetlights, floodlights, wall packs and canopies
Safety Certification	UL, CUL, CE, RoHS
Warranty Time	5 Years

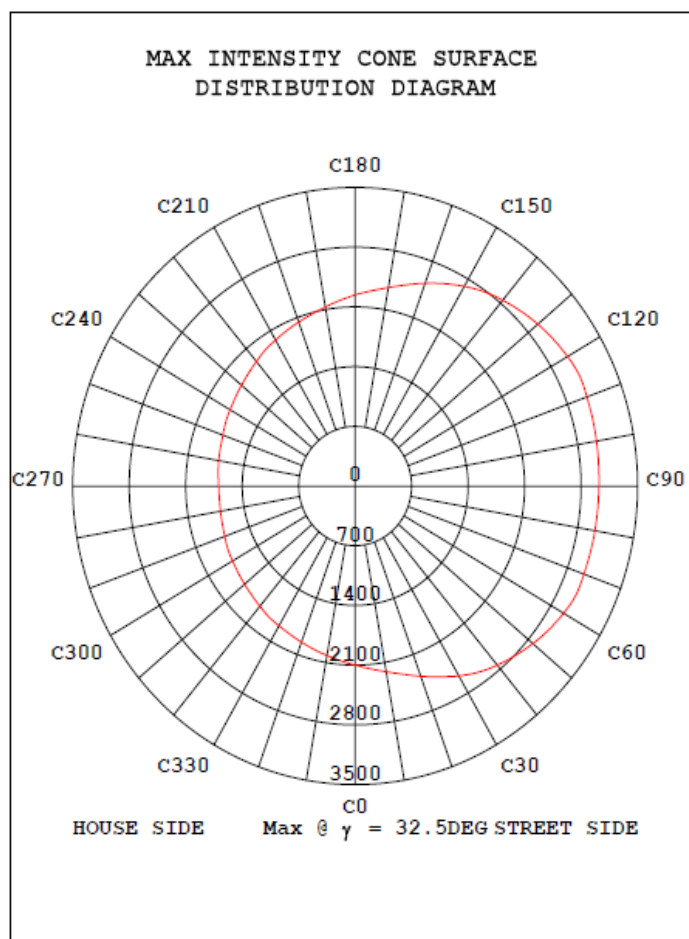
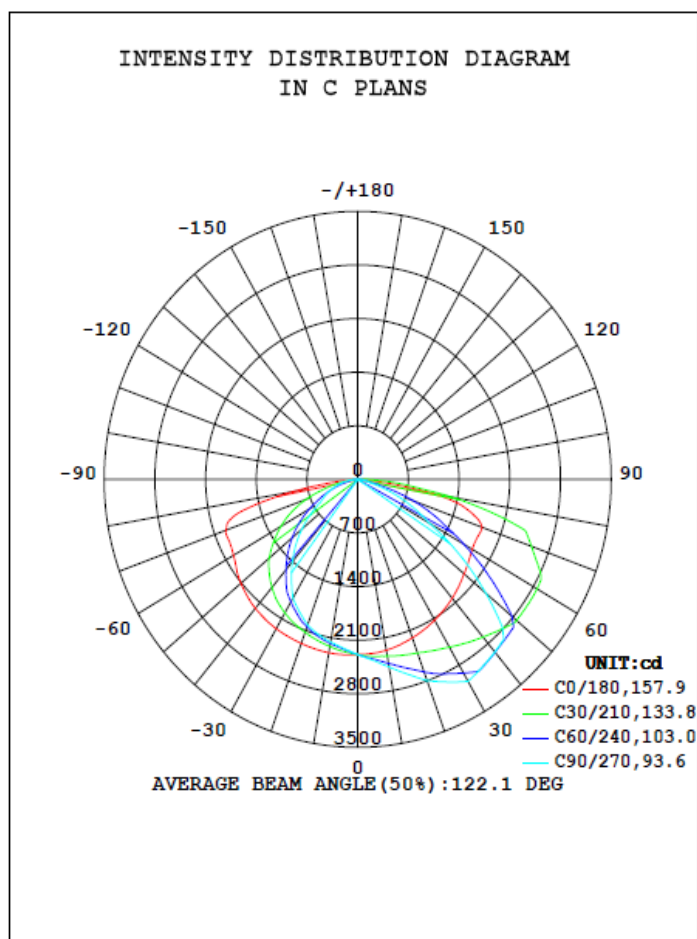
**SINOSTAR LIGHTING GROUP LTD.**

Tel: +86-757-83982666  
 Web: [www.sinostarled.com](http://www.sinostarled.com)

Fax: +86-757-82283667  
 E-mail: [sales@sinostarled.com](mailto:sales@sinostarled.com)

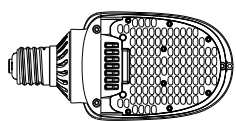
Remark: The testing data comes directly from the product test.

DATA OF LAMP		PHOTOMETRIC DATA			
MODEL		Imax (cd)	3067	$\eta$ street_up (%)	0.0
NOMINAL POWER (W)	75	LOR (%)	100.0	$\eta$ street_down (%)	63.5
RATED VOLTAGE (V)	120	TOTAL FLUX (lm)	9162	$\eta$ house_up (%)	0.0
NOMINAL FLUX (lm)	9162.16	MAXIMUM @ (C, $\gamma$ )	115,32.5	$\eta$ house_down (%)	36.5
LAMPS INSIDE	1	$\eta$ up (%)	0.0	76 FLASHAREA (m2)	0.05000
TEST VOLTAGE (V)	120	$\eta$ down (%)	100.0	SLI	23.708

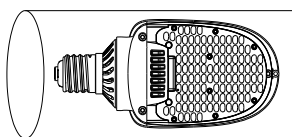


## Package

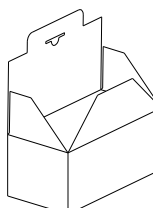
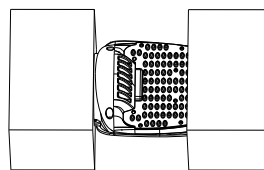
### LED Retrofit Kit



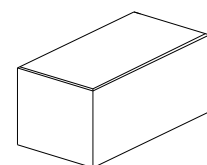
### Into PE bag



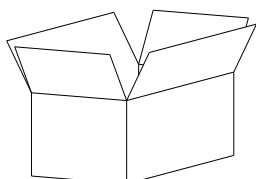
### Into EPE



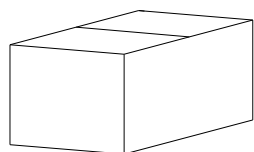
### Into inner box



### Cover inner box



### Into outer box

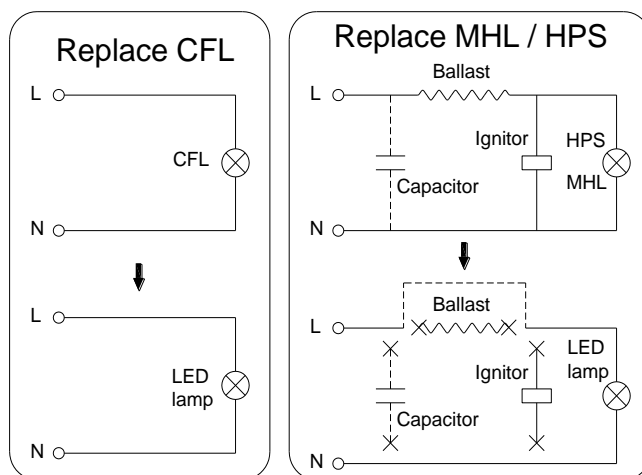


### Joint sealing

	Size	Qty/ Carton	Net Weight/ Carton	Gross Weight/ Carton
Inner box	340*160*110 MM	1 PC	1.28 KG	1.52 KG
Outer box	660*355*240 MM	8 PCS	10.2 KG	13.1 KG

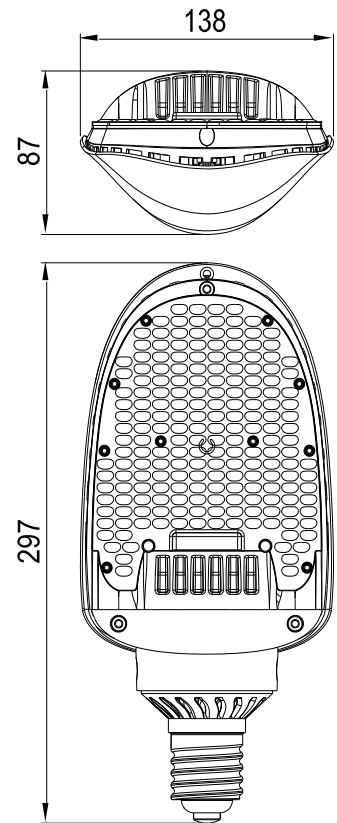
## Notice For User

- Please turn off power before install or change assembly parts.
- The input voltage and lamps should be matched, after connecting the power line, please make sure the wiring section is insulated.
- Make sure to remove or bypass the ballast in the fixtures before install the lamps.
- Suitable for damp locations. Do not use with dimmers.
- Suitable for use in enclosed luminaires, min. lamp compartment dimensions: 420\*230\*230MM.
- No-professionals, must not install and disassemble the lamps.



## Trouble Shootings

Troubles	Check points
Flickering of the lamps	Turn off the power and turn on again in 3 minutes. If same phenomena occur, then call agencies
Out of working	Please check the connection



**NAME:** LED Retrofit Kit

**P/N:** SS-SLB-95W

## Advantage

- UL, CUL, RoHS, CE certificate
- PHILIPS LUMILEDS chip, high CRI
- Warm / Natural / Cool / Cold white.
- 90x150°, TYPE III.
- Internal driver, input voltage AC100-277V.
- E39, EX39, E40 lamp base.
- Lamp Base: 270 degree rotated.
- Big heat sink.
- New style and high efficient wide-range input.
- Long lifespan and good heat dissipation.
- Direct replacement for Metal Halide, easy Installation.
- Fits many different fixtures to replace traditional lamps.



## Application

Retrofitting parking lots, shoeboxes, streetlights, floodlights, wall packs, and canopies has just been made simple.

General	
Product name	LED Retrofit Kit
Part No	SS-SLB-95W
Lamp Base	E39/EX39/E40
Dimension	297*138*87 MM
Technical	
Color temperature	2700-6500K
CRI	>70
Lumen	11000-12400 LM
Lumen Efficacy	115-130 LM/W
Input Power	95W
Viewing Angle	90x150° (Type III)
Input Voltage	AC100-277V 50/60Hz
PFC	>90%
Equivalent	200W CFL, 250W MHL/HPS/HID
Waterproof Rating	IP51
Materials	
LED Brand	PHILIPS LUMILEDS
LED Type	LUXEON 3030 2D (1.5W)
LED QTY	168 PCS
Housing	Magnesium Alloy+AL+PC
Housing color	Black+Silver
Others	
Operating Temperature	-20°C - +45°C
Operating Humidity	20%-70% RH
Storage Temperature	-30°C - +80°C
Storage Humidity	10%-75% RH
Application	shoebboxes, streetlights, floodlights, wall packs and canopies
Safety Certification	UL, CUL, CE, RoHS
Warranty Time	5 Years

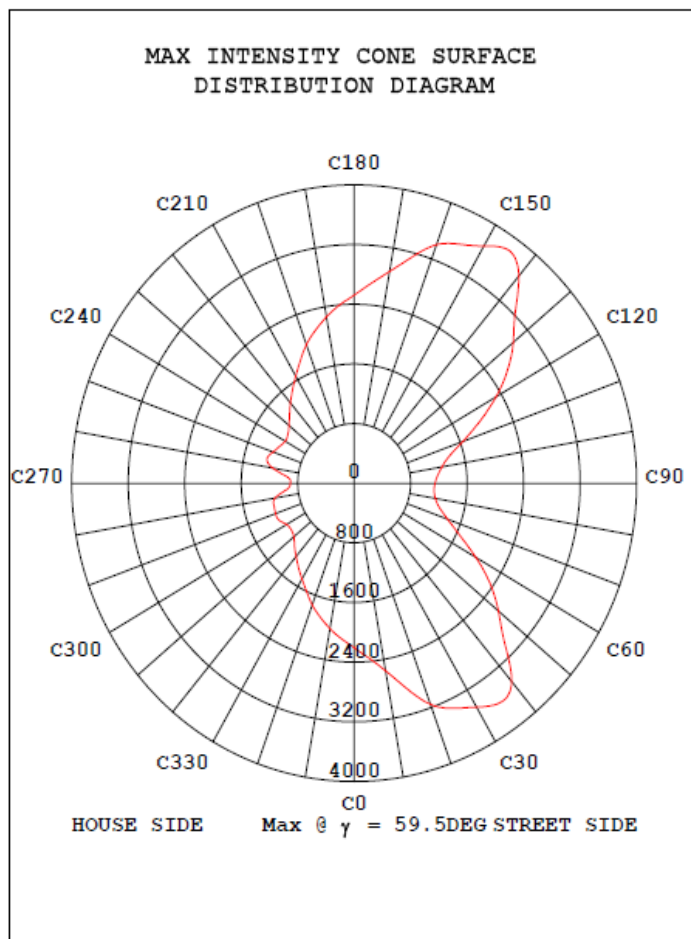
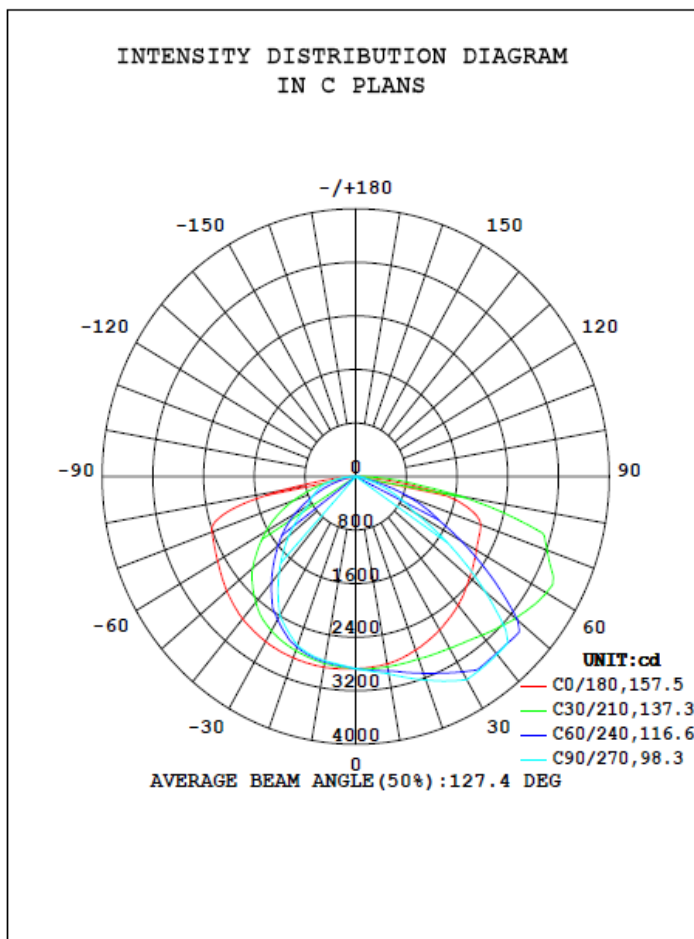
**SINOSTAR LIGHTING GROUP LTD.**

Tel: +86-757-83982666  
 Web: www.sinostarled.com

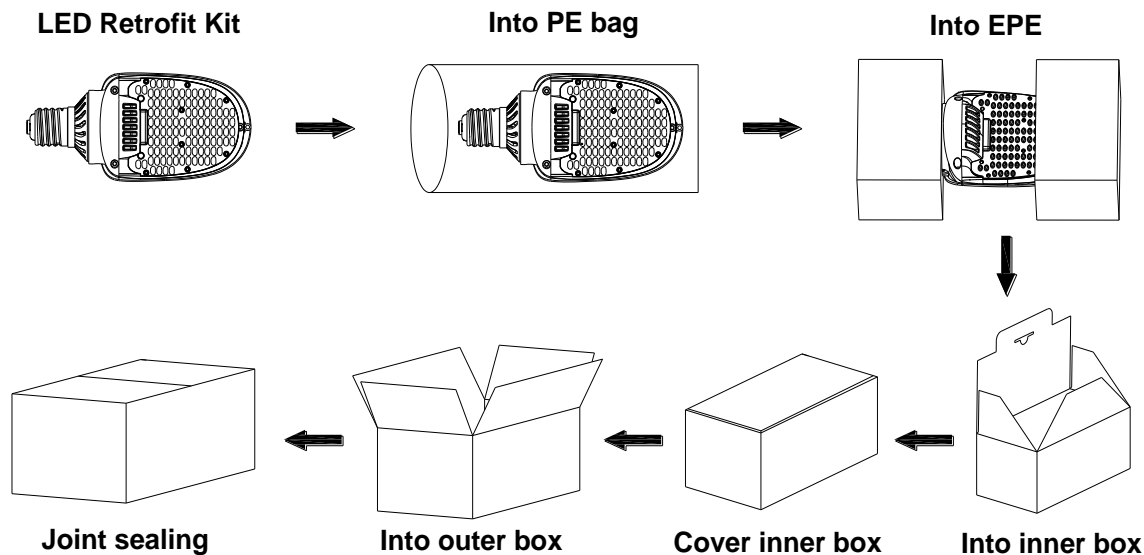
Fax: +86-757-82283667  
 E-mail: sales@sinostarled.com

Remark: The testing data comes directly from the product test.

DATA OF LAMP		PHOTOMETRIC DATA <span style="float: right;">Eff: 122.08 lm/W</span>			
MODEL		I <sub>max</sub> (cd)	3816	η street_up (%)	0.0
NOMINAL POWER (W)	95	LOR (%)	100.0	η street_down (%)	60.7
RATED VOLTAGE (V)	120	TOTAL FLUX (lm)	11355	η house_up (%)	0.0
NOMINAL FLUX (lm)	11355.2	MAXIMUM @ (C, γ )	145,59.5	η house_down (%)	39.3
LAMPS INSIDE	1	η up (%)	0.0	76 FLASHAREA (m2)	0.05000
TEST VOLTAGE (V)	120	η down (%)	100.0	SLI	23.967



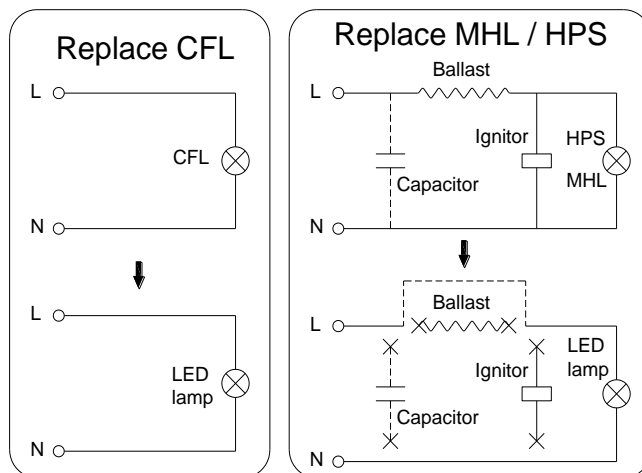
## Package



	Size	Qty/ Carton	Net Weight/ Carton	Gross Weight/ Carton
Inner box	340*160*110 MM	1 PC	1.28 KG	1.52 KG
Outer box	660*355*240 MM	8 PCS	10.3 KG	13.2 KG

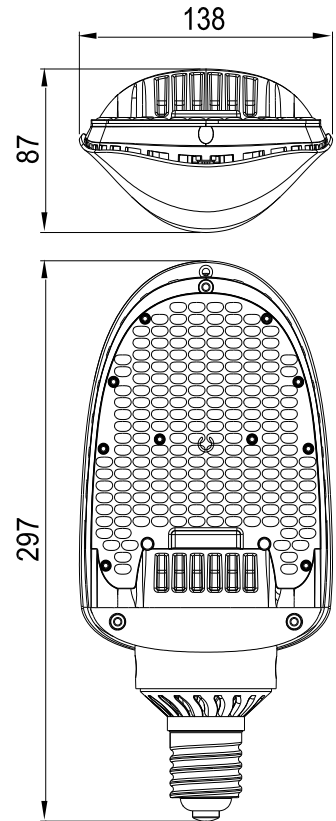
## Notice For User

- Please turn off power before install or change assembly parts.
- The input voltage and lamps should be matched, after connecting the power line, please make sure the wiring section is insulated.
- Make sure to remove or bypass the ballast in the fixtures before install the lamps.
- Suitable for damp locations. Do not use with dimmers.
- Suitable for use in enclosed luminaires, min. lamp compartment dimensions: 440\*240\*240MM.
- No-professionals, must not install and disassemble the lamps.



## Trouble Shootings

Troubles	Check points
Flickering of the lamps	Turn off the power and turn on again in 3 minutes. If same phenomena occur, then call agencies
Out of working	Please check the connection



**NAME:** LED Retrofit Kit

**P/N:** SS-SLB-115W

## Advantage

- UL, CUL, RoHS, CE certificate
- PHILIPS LUMILEDS chip, high CRI
- Warm / Natural / Cool / Cold white.
- 90x150°, TYPE III.
- Internal driver, input voltage AC100-277V.
- E39, EX39, E40 lamp base.
- Lamp Base: 270 degree rotated.
- Big heat sink.
- New style and high efficient wide-range input.
- Long lifespan and good heat dissipation.
- Direct replacement for Metal Halide, easy Installation.
- Fits many different fixtures to replace traditional lamps.



## Application

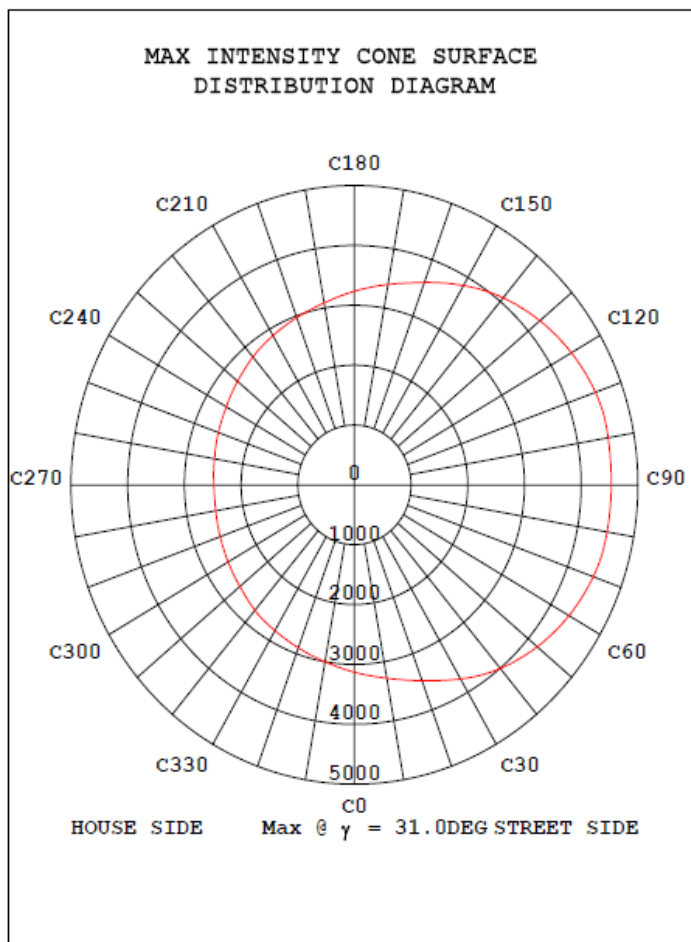
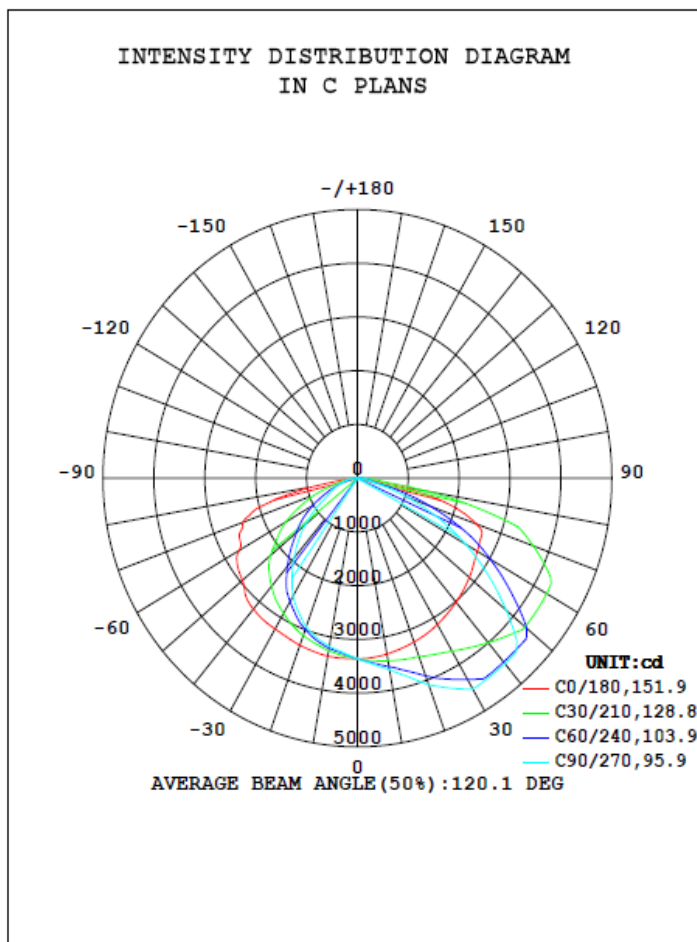
Retrofitting parking lots, shoeboxes, streetlights, floodlights, wall packs, and canopies has just been made simple.

<b>General</b>	
Product name	LED Retrofit Kit
Part No	SS-SLB-115W
Lamp Base	E39/EX39/E40
Dimension	297*138*87 MM
<b>Technical</b>	
Color temperature	2700-6500K
CRI	>70
Lumen	13000-15000 LM
Lumen Efficacy	115-130 LM/W
Input Power	115W
Viewing Angle	90x150° (Type III)
Input Voltage	AC100-277V 50/60Hz
PFC	>90%
Equivalent	250W CFL, 400W MHL/HPS/HID
Waterproof Rating	IP51
<b>Material</b>	
LED Brand	PHILIPS LUMILEDS
LED Type	LUXEON 3030 2D (1.5W)
LED QTY	196 PCS
Housing	Magnesium Alloy+AL+PC
Housing color	Black+Silver
<b>Others</b>	
Operating Temperature	-20°C - +45°C
Operating Humidity	20%-70% RH
Storage Temperature	-30°C - +80°C
Storage Humidity	10%-75% RH
Application	shoeboxes, streetlights, floodlights, wall packs and canopies
Safety Certification	UL, CUL, CE, RoHS
Warranty Time	5 Years

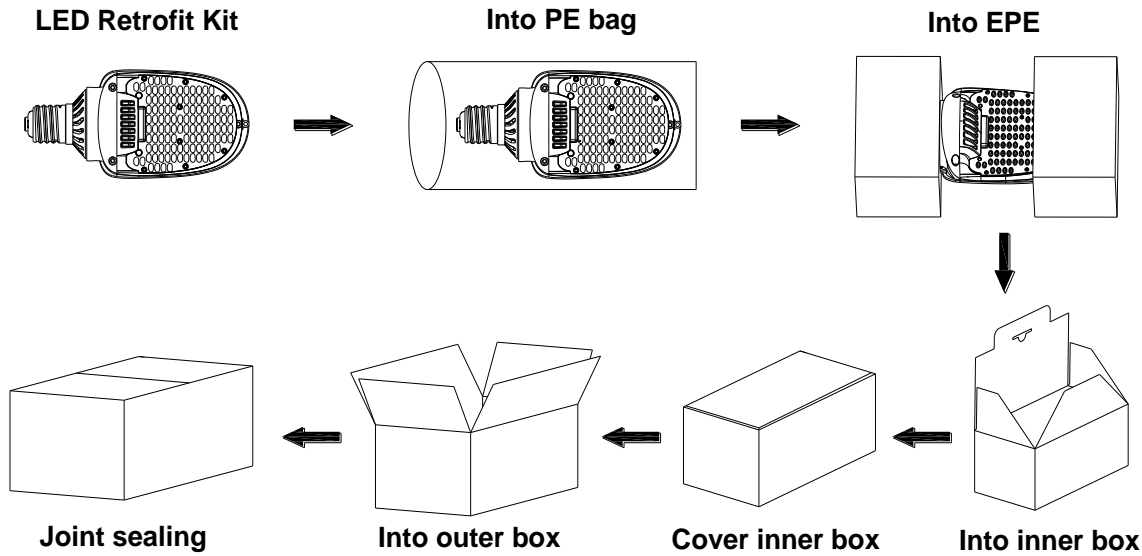
**SINOSTAR LIGHTING GROUP LTD.**Tel: +86-757-83982666  
Web: [www.sinostarled.com](http://www.sinostarled.com)Fax: +86-757-82283667  
E-mail: [sales@sinostarled.com](mailto:sales@sinostarled.com)

Remark: The testing data comes directly from the product test.

DATA OF LAMP		PHOTOMETRIC DATA <span style="float: right;">Eff: 118.01 lm/W</span>			
MODEL		I <sub>max</sub> (cd)	4550	η street_up(%)	0.0
NOMINAL POWER (W)	115	LOR(%)	100.0	η street_down(%)	65.1
RATED VOLTAGE (V)	120	TOTAL FLUX (lm)	13140	η house_up(%)	0.0
NOMINAL FLUX (lm)	13139.9	MAXIMUM @ (C, γ )	105,31.0	η house_down(%)	34.9
LAMPS INSIDE	1	η up(%)	0.0	76 FLASHAREA (m2)	0.05000
TEST VOLTAGE (V)	120	η down(%)	100.0	SLI	22.988



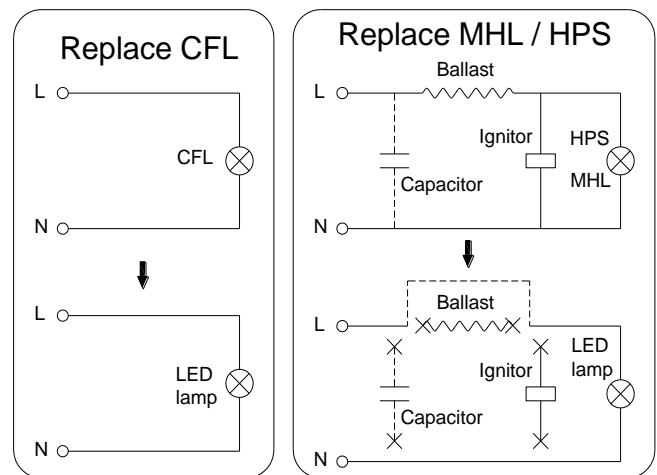
## Package



	Size	Qty/ Carton	Net Weight/ Carton	Gross Weight/ Carton
Inner box	340*160*110 MM	1 PC	1.31 KG	1.55 KG
Outer box	660*355*240 MM	8 PCS	10.5 KG	13.5 KG

## Notice For User

- Please turn off power before install or change assembly parts.
- The input voltage and lamps should be matched, after connecting the power line, please make sure the wiring section is insulated.
- Make sure to remove or bypass the ballast in the fixtures before install the lamps.
- Suitable for damp locations. Do not use with dimmers.
- Suitable for use in enclosed luminaires, min. lamp compartment dimensions: 440\*260\*260MM.
- No-professionals, must not install and disassemble the lamps.



## Trouble Shootings

Troubles	Check points
Flickering of the lamps	Turn off the power and turn on again in 3 minutes. If same phenomena occur, then call agencies
Out of working	Please check the connection

**SINOSTAR LIGHTING GROUP LTD.**

Tel: +86-757-83982666  
Web: [www.sinostarled.com](http://www.sinostarled.com)

Fax: +86-757-82283667  
E-mail: [sales@sinostarled.com](mailto:sales@sinostarled.com)